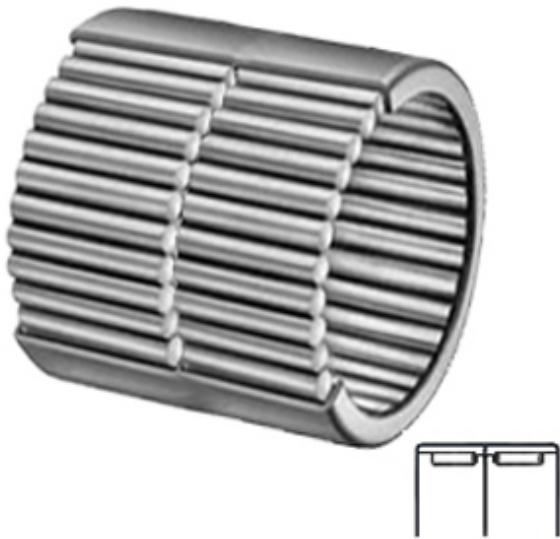




Bearing Manufacturing of America

GR 18 N MCGILL Needle Roller Bearings



Bearing No. GR 18 N

Category	Needle Non Thrust Roller Bearings
Inventory	0.0
Manufacturer Name	REGAL BELOIT
Minimum Buy Quantity	N/A
Weight	0.109
Product Group	B04144
Rolling Element	Needle Roller Bearing
Component	Roller Assembly with Outer Ring - No Inner Ring
Enclosure	Open
Self Aligning	No
Retainer	No
Number of Rows of Rollers	Double Row
Separable	No
Closed End	No
Inch - Metric	Inch
Relubricatable	Yes
Thrust Bearing	No
Long Description	1-1/8" Bore; 1-5/8" Outside Diameter; 1" Width; Needle Roller Bearing; Roller Assembly with Outer Ring - No Inner Ring; Open Enclosure; No Self Aligning; No Retainer; Double Row of Roll
Other Features	1 Rib Outer Ring Full Complement Heavy Duty Narrow Width Oil Hole

GR 18 N Bearing 2D drawings and 3D CAD models



Bearing Manufacturing of America

Category	Needle Non Thrust Roller Bearing
UNSPSC	31171512
Harmonized Tariff Code	8482.40.00.00
Noun	Bearing
Keyword String	Needle
Manufacturer URL	http://www.emerson-ept.com
Manufacturer Item Number	GR-18-N
Manufacturer Internal Number	5001860000
Weight / LBS	0.24
B	1 Inch 25.4 Millimeter
D	1.625 Inch 41.275 Millimeter
d	1.125 Inch 28.575 Millimeter