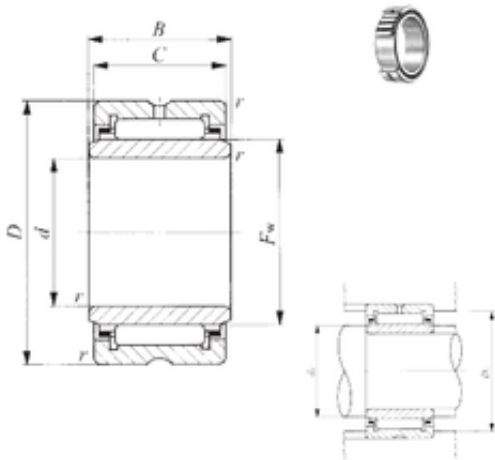




Bearing Manufacturing of America

135 mm x 188 mm x 60,5 mm 135 mm x 188 mm x 60,5 mm IKO TRI 13518860 needle roller bearings



Bearing No. TRI 13518860

TRI 13518860 Bearing 2D drawings and 3D CAD models

Size	135x188x60.5 mm
Bore Diameter	135 mm
Outer Diameter	188 mm
Width	60,5 mm
d	135 mm
Fw	150 mm
D	188 mm
B	60,5 mm
C	60 mm
r min.	1,5 mm
da min.	143 mm
da max	148 mm
Da max.	180 mm
S	2,5 mm
Weight	5,1 Kg
Basic dynamic load rating (C)	320 kN
Basic static load rating (C0)	675 kN
Category	Bearings
Inventory	0.0
Manufacturer Name	IKO
Minimum Buy Quantity	N/A
Weight / Kilogram	0
Product Group	B04144