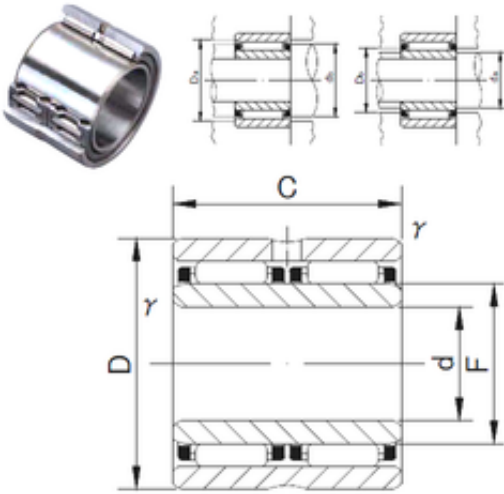




## Bearing Manufacturing of America



10 mm x 22 mm x 20 mm 10 mm x 22 mm x 20 mm JNS NAFW 102220 needle roller bearings

Bearing No. NAFW 102220

Size	10x22x20 mm
Bore Diameter	10 mm
Outer Diameter	22 mm
Width	20 mm
d	10 mm
F	14 mm
D	22 mm
B	20 mm
C	20 mm
r min.	0,3 mm
da min.	12 mm
da max	13 mm
Da max.	20 mm
db	17,6 mm
Db	14,6 mm
Weight	0,04 Kg
Basic dynamic load rating (C)	10,8 kN
Basic static load rating (C0)	14,2 kN

NAFW 102220 Bearing 2D drawings and 3D CAD models