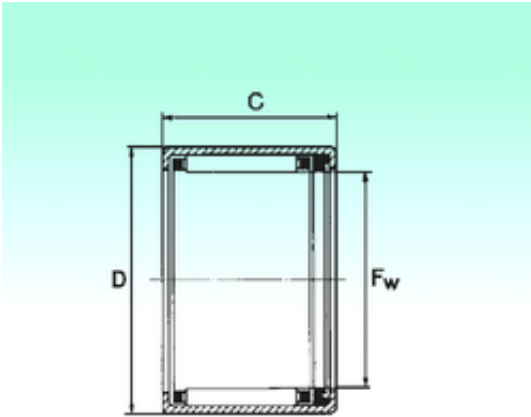




Bearing Manufacturing of America



NBS HK 1614 RS needle roller bearings

Bearing No. HK 1614 RS

| | |
|----------------|-------------|
| Size | 16x22x14 mm |
| Bore Diameter | 16 mm |
| Outer Diameter | 22 mm |
| Width | 14 mm |
| Fw | 16 mm |
| D | 22 mm |

HK 1614 RS Bearing 2D drawings and 3D CAD models