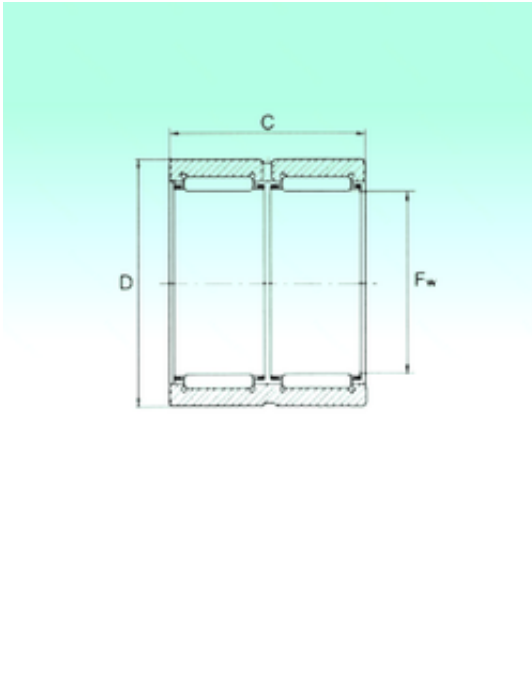




Bearing Manufacturing of America



RNA 6909 ZW Bearing 2D drawings and 3D CAD models

NBS RNA 6909 ZW needle roller bearings

Bearing No. RNA 6909 ZW

Size	52x68x40 mm
Bore Diameter	52 mm
Outer Diameter	68 mm
Width	40 mm
Fw	52 mm
D	68 mm
C	40 mm
Weight	0,338 Kg
Basic dynamic load rating (C)	65,5 kN
Basic static load rating (C0)	120,65 kN