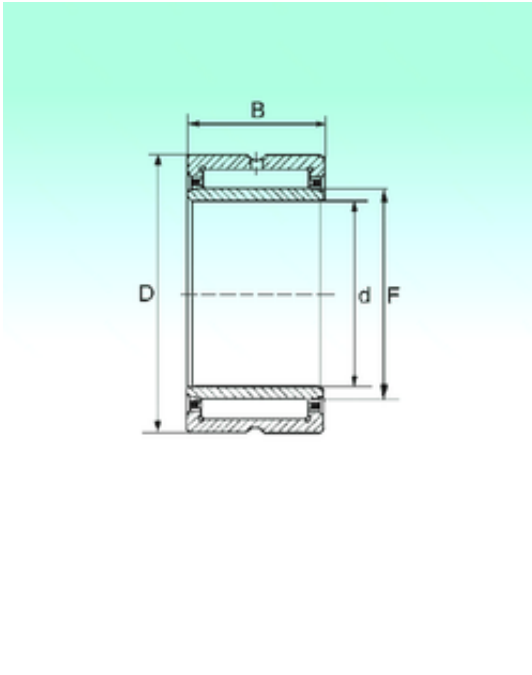




Bearing Manufacturing of America



NKI 40/20 Bearing 2D drawings and 3D CAD models

NBS NKI 40/20 needle roller bearings

Bearing No. NKI 40/20

Size	40x55x20 mm
Bore Diameter	40 mm
Outer Diameter	55 mm
Width	20 mm
d	40 mm
Fw	45 mm
D	55 mm
C	20 mm
Weight	0,142 Kg
Basic dynamic load rating (C)	26,1 kN
Basic static load rating (C0)	50,35 kN