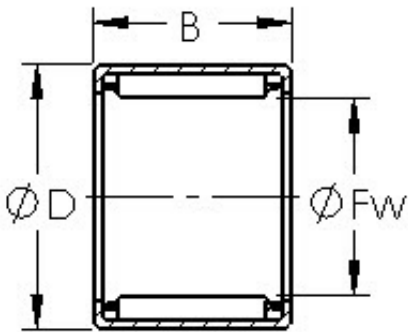




Bearing Manufacturing of America



AST SCE59 needle roller bearings

Bearing No. SCE59

Bore Diameter	7,9502 mm
Outer Diameter	12,7 mm
Width	14,3 mm
Bearing Type	Cage Retained Rollers
Outer Dia (D)	0.5000
Width (B)	0.5630
Dynamic Load Rating (Cr)	1,340
Static Load Rating (Cor)	1,480
Max Speed (Grease) (X1000 RPM)	35,500
Shaft (Fw)	0.313
Weight (g)	6.00
Material - Drawn cup: Hardened carbon steel alloy, Rollers	52100 Chrome steel or equivalent

SCE59 Bearing 2D drawings and 3D CAD models