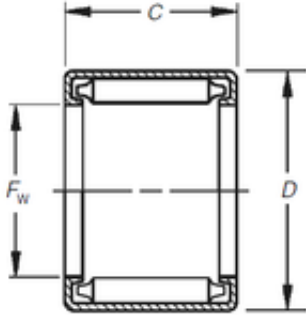




Bearing Manufacturing of America

Timken B-1418 needle roller bearings



Bearing No. B-1418

Size	22.225x28.575x28.58 mm
Bore Diameter	22,225 mm
Outer Diameter	28,575 mm
Width	28,58 mm
Fw	22,225 mm
D	28,575 mm
C	28,58 mm
Weight	0,043 Kg
Basic dynamic load rating (C)	35,2 kN
Basic static load rating (C0)	74,73 kN
(Grease) Lubrication Speed	3100 r/min

B-1418 Bearing 2D drawings and 3D CAD models