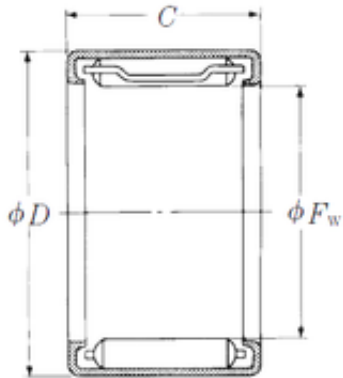




Bearing Manufacturing of America

NSK FJL-1825 needle roller bearings



Bearing No. FJL-1825

Size	18x25x25 mm
Bore Diameter	18 mm
Outer Diameter	25 mm
Width	25 mm
Fw	18 mm
D	25 mm
C	25 mm
Weight	0,028 Kg
Basic dynamic load rating (C)	20,5 kN

FJL-1825 Bearing 2D drawings and 3D CAD models