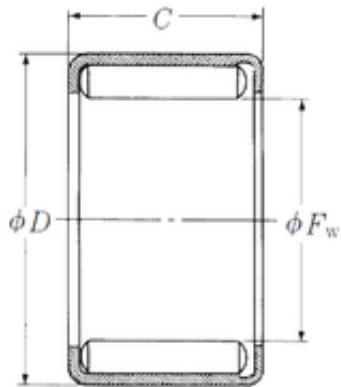




Bearing Manufacturing of America

NSK YH-810 needle roller bearings



Bearing No. YH-810

Size	12.7x19.05x15.88 mm
Bore Diameter	12,7 mm
Outer Diameter	19,05 mm
Width	15,88 mm
Fw	12,7 mm
D	19,05 mm
C	15,88 mm
Weight	0,016 Kg
Basic dynamic load rating (C)	14,6 kN

YH-810 Bearing 2D drawings and 3D CAD models