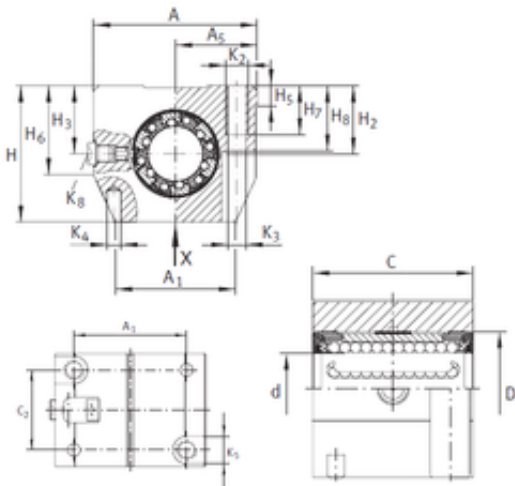




Bearing Manufacturing of America

INA KGN 40 C-PP-AS linear bearings

Bearing No. KGN 40 C-PP-AS



KGN 40 C-PP-AS Bearing 2D drawings and 3D CAD models

Bore Diameter	40 mm
Outer Diameter	62 mm
d	40 mm
D	62 mm
H5	11 mm
H6	56 mm
H7	26 mm
H8	44 mm
K3	10,5 mm
K4	8 mm
K5	18 mm
Thread (K2)	M12
H3	45 mm
A5	54 mm
A	108 mm
A1	86 mm
C	80 mm
H	90 mm
H2	45 mm
C2	58 mm
Weight	1,55 Kg
Basic dynamic load rating (C)	6,3 kN