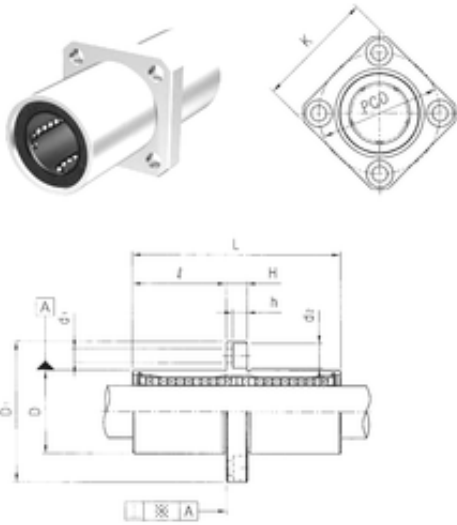




Bearing Manufacturing of America



LMKM40 Bearing 2D drawings and 3D CAD models

Samick LMKM40 linear bearings

Bearing No. LMKM40

Bore Diameter	40 mm
Outer Diameter	60 mm
d	40 mm
D	60 mm
d1	9 mm
d2	14 mm
h	8,6 mm
D1	96 mm
H	13 mm
K	75 mm
L	154 mm
PCD	78 mm
	70,5 Tolerance h14
Tolerance perpendicularity (C)	25
Weight	2,56 Kg
Basic dynamic load rating (C)	3,43 kN