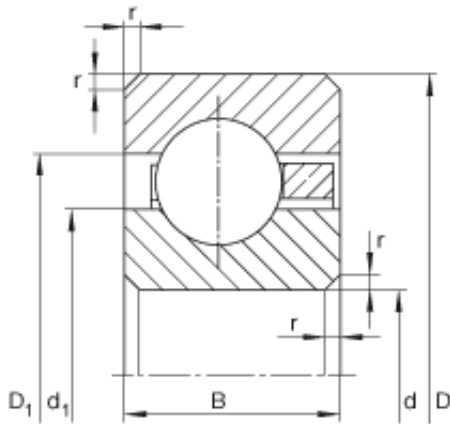




Bearing Manufacturing of America

6 inch x 171,45 mm x 9,525 mm 6 inch x 171,45 mm x 9,525 mm INA CSCC060 deep groove ball bearings



Bearing No. CSCC060

Size	152.4x171.45x9.525 mm
Bore Diameter	152,4 mm
Outer Diameter	171,45 mm
Width	9,525 mm
d	152,4 mm
d	6 inch
D	171,45 mm
B	9,525 mm
D_1	164,4 mm
d_1	159,4 mm
r_{min}	1 mm
m	0,29 kg / Weight
C_r	9000 N / Dynamic load rating (radial)
C_{0r}	12200 N / Static load rating (radial)

CSCC060 Bearing 2D drawings and 3D CAD models