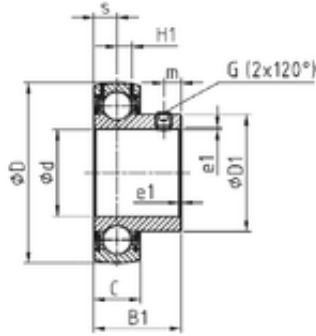




# Bearing Manufacturing of America



US210 Bearing 2D drawings and 3D CAD models

## SNR US210 deep groove ball bearings

Bearing No. US210

Size	50x90x20 mm
Bore Diameter	50 mm
Outer Diameter	90 mm
Width	20 mm
d	50 mm
D	90 mm
B1	43,5 mm
C	20 mm
e	1,1 mm
a	4 mm
m	9,2 mm
s	10,9 mm
D1	61,8 mm
H1	6,5 mm
Thread (G)	M8x1
Weight	0,76 Kg
Basic dynamic load rating (C)	35,1 kN