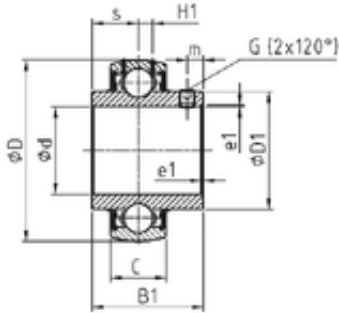




Bearing Manufacturing of America



UC209 Bearing 2D drawings and 3D CAD models

SNR UC209 deep groove ball bearings

Bearing No. UC209

Size	45x85x22 mm
Bore Diameter	45 mm
Outer Diameter	85 mm
Width	22 mm
d	45 mm
D	85 mm
B1	49,2 mm
C	22 mm
e	1,1 mm
a	4 mm
m	8 mm
s	19 mm
D1	57,2 mm
H1	6,8 mm
Thread (G)	M8x1
Weight	0,68 Kg
Basic dynamic load rating (C)	31,85 kN