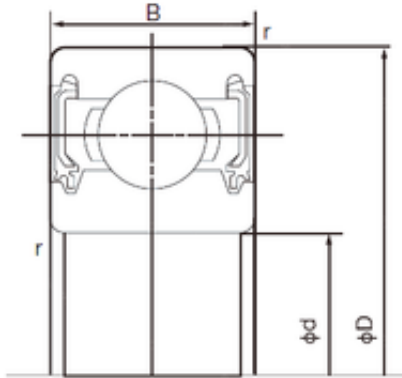




Bearing Manufacturing of America

12 mm x 37 mm x 12 mm 12 mm x 37 mm x 12 mm NACHI 6301-2NKE9 deep groove ball bearings



Bearing No. 6301-2NKE9

Size	12x37x12 mm
Bore Diameter	12 mm
Outer Diameter	37 mm
Width	12 mm
d	12 mm
D	37 mm
B	12 mm
C	12 mm
r min.	1.0 mm
Basic dynamic load rating (C)	9,75 kN
Basic static load rating (C0)	4,25 kN
Bore Type	Cylindrical Bore
Enclosure	Double Seal
Configuration	Single Row
Weight	0.060 kg
Bore Size	12 mm
Outside Diameter	37 mm
Width	12 mm
Dynamic Load Rating	9,750 N
Static Load Rating	4,250 N
Limiting Speed - Grease	20,000 rpm
Factor fo	11.2
Radial Clearance	0.003 to 0.018 mm
da (min)	18 mm

6301-2NKE9 Bearing 2D drawings and 3D CAD models



Bearing Manufacturing of America

Da (max)	31 mm
ra (max)	1 mm