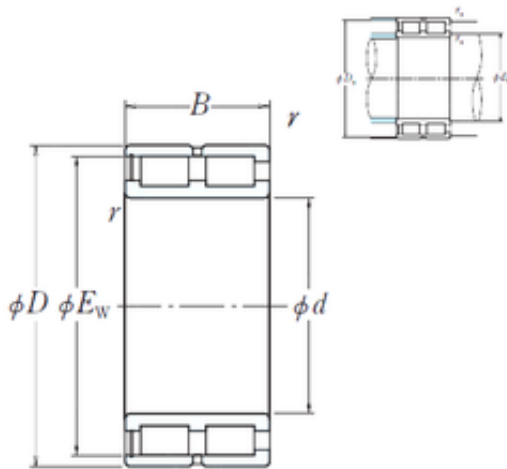




Bearing Manufacturing of America

360 mm x 440 mm x 80 mm 360 mm x 440 mm
x 80 mm NSK NNCF4872V cylindrical roller
bearings



Bearing No. NNCF4872V

Size	360x420.4x80 mm
Bore Diameter	360 mm
Outer Diameter	420,4 mm
Width	80 mm
d	360 mm
D	440 mm
Ew	420,4 mm
B	80 mm
C	80 mm
r min.	2,1 mm
Da	421 mm
ra max.	2 mm
da	379 mm
Weight	27 Kg
Basic dynamic load rating (C)	885 kN

NNCF4872V Bearing 2D drawings and 3D CAD models