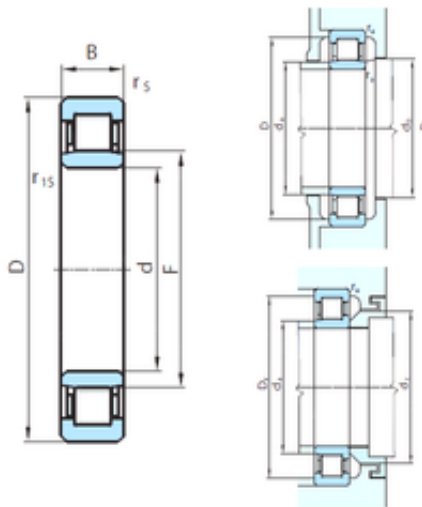




Bearing Manufacturing of America



300 mm x 460 mm x 74 mm 300 mm x 460 mm
x 74 mm PSL NU1060 cylindrical roller bearings

Bearing No. NU1060

Size	300x460x74 mm
Bore Diameter	300 mm
Outer Diameter	460 mm
Width	74 mm
d	300 mm
F	340 mm
D	460 mm
B	74 mm
C	74 mm
dc min	360 mm
b	19 mm
b1	36 mm
d2	357,6 mm
r min.	4 mm
r1 max.	4 mm
da min.	318 mm
da max	325 mm
Da max.	442 mm
db min	344 mm
ra max.	3 mm
Weight	44 Kg
Basic dynamic load rating (C)	891 kN
Basic static load rating (C0)	1310 kN
(Grease) Lubrication Speed	1200 r/min

NU1060 Bearing 2D drawings and 3D CAD models