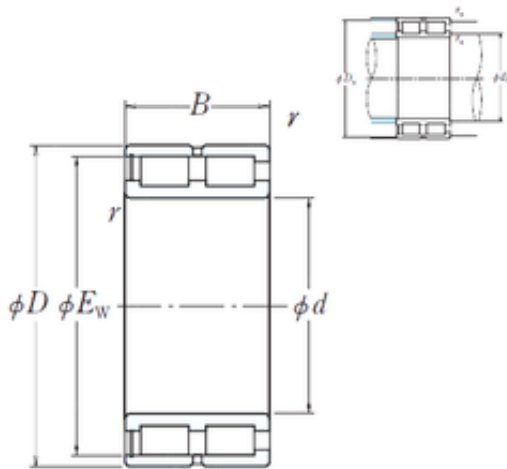




Bearing Manufacturing of America

130 mm x 200 mm x 95 mm 130 mm x 200 mm
x 95 mm NSK NNCF5026V cylindrical roller
bearings



Bearing No. NNCF5026V

NNCF5026V Bearing 2D drawings and 3D CAD models

Size	130x183.81x95 mm
Bore Diameter	130 mm
Outer Diameter	183,81 mm
Width	95 mm
d	130 mm
D	200 mm
Ew	183,81 mm
B	95 mm
C	95 mm
r min.	2 mm
Da	187 mm
ra max.	2 mm
da	142 mm
Weight	10,3 Kg
Basic dynamic load rating (C)	710 kN
Category	Bearings
Inventory	0.0
Manufacturer Name	NSK
Minimum Buy Quantity	N/A
Weight / Kilogram	10
Product Group	B04144