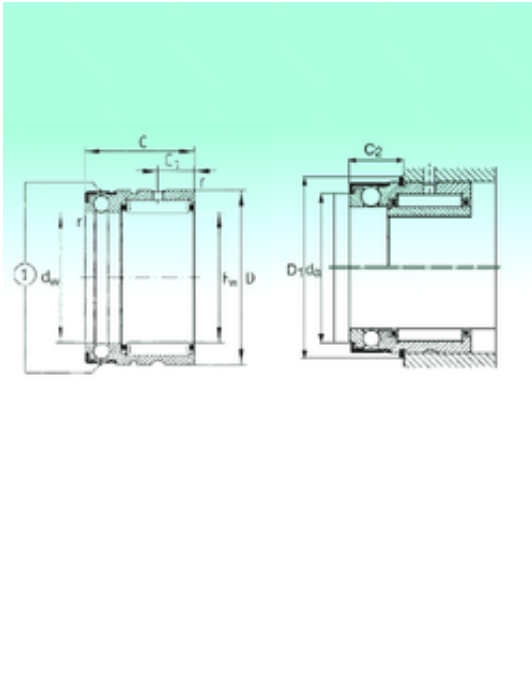




Bearing Manufacturing of America



NX 20 Bearing 2D drawings and 3D CAD models

NBS NX 20 complex bearings

Bearing No. NX 20

Size	20x30x28 mm
Bore Diameter	20 mm
Outer Diameter	30 mm
Width	28 mm
d	20 mm
Fw	0,068 mm
D	30 mm
C	28 mm
C1	8 mm
D1	33,6 mm
C2	12,2 mm
da	25 mm
Dynamic load rating radial (C)	12 kN
Dynamic load rating axial (C)	6,5 kN
Static load rating radial (C0)	16 kN
Static load rating axial (C0)	15 kN