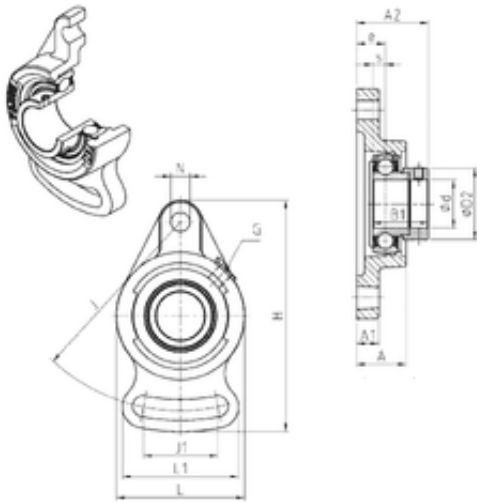




Bearing Manufacturing of America



SNR ESFA202 bearing units

Bearing No. ESFA202

| | |
|-------------------------------|----------|
| Bore Diameter | 15 mm |
| d | 15 mm |
| e | 13 mm |
| s | 6,5 mm |
| A | 22 mm |
| A1 | 9 mm |
| B1 | 28,6 mm |
| D2 | 28,6 mm |
| H | 95 mm |
| J | 75 mm |
| L | 57 mm |
| L1 | 47 mm |
| N | 10 mm |
| Thread (G) | M6x1 |
| A2 | 35,1 mm |
| J1 | 37 mm |
| Weight | 0,5 Kg |
| Basic dynamic load rating (C) | 9,55 kN |
| B | 19.1 mm |
| d1 | 27.2 mm |
| G | M6x1 |
| s1 | 23.05 mm |
| S | 6.5 mm |
| C | 9.55 kN |
| C0 | 4.78 kN |
| T min. | -20 ° C |

ESFA202 Bearing 2D drawings and 3D CAD models



Bearing Manufacturing of America

| | |
|---|---------|
| T max. | 100 ° C |
| Recommended tightening torque for set screw | 5.5 Nm |
| Designation of housing | FA203- |
| Designation of bearing | ES202G2 |