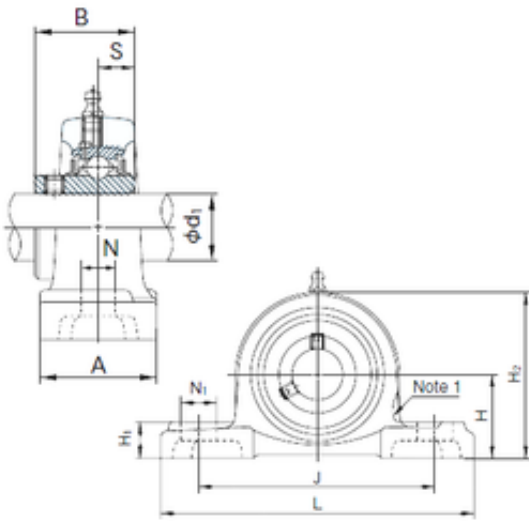




Bearing Manufacturing of America



UCP212 Bearing 2D drawings and 3D CAD models

NACHI UCP212 bearing units

Bearing No. UCP212

Bore Diameter	60 mm
Width	65.1 mm
d	60 mm
A	70 mm
B	65.1 mm
H	69.8 mm
H1	25 mm
H2	138 mm
J	184 mm
L	241 mm
N	20 mm
N1	25 mm
S	25.4 mm
Bolt (G)	M16
Category	Bearings
Inventory	0.0
Manufacturer Name	NACHI
Minimum Buy Quantity	N/A
Weight / Kilogram	0
Product Group	M06110