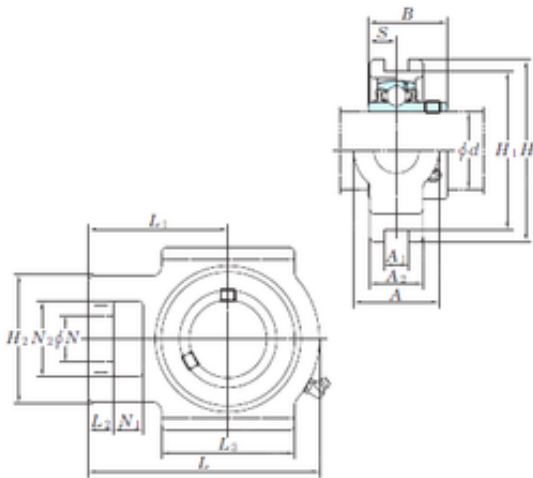




Bearing Manufacturing of America



KOYO UCTX14 bearing units

Bearing No. UCTX14

Bore Diameter	70 mm
d	70 mm
L2	21 mm
L3	121 mm
A	70 mm
A1	26 mm
B	77,8 mm
H	167 mm
H1	151 mm
H2	111 mm
L	232 mm
L1	140 mm
N	41 mm
N1	32 mm
S	33,3 mm
A2	48 mm
N2	70 mm
Weight	7,9 Kg
Basic dynamic load rating (C)	67,4 kN
Basic static load rating (C0)	48,3 kN

UCTX14 Bearing 2D drawings and 3D CAD models