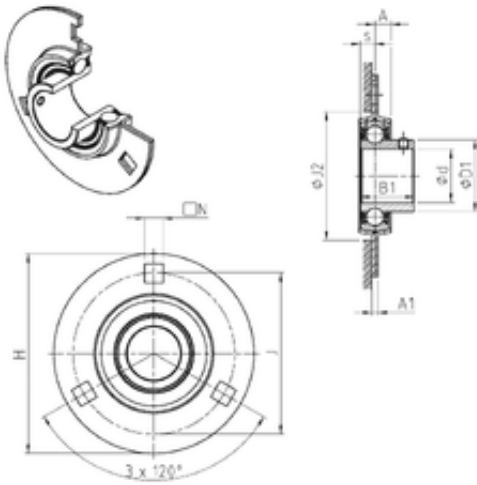




Bearing Manufacturing of America



SNR USPF204 bearing units

Bearing No. USPF204

Bore Diameter	20 mm
d	20 mm
s	7 mm
A	7,7 mm
A1	4 mm
B1	25 mm
D1	29 mm
H	90,5 mm
N	8,7 mm
J1	71,5 mm
J2	55 mm
Weight	0,3 Kg
Basic dynamic load rating (C)	12,8 kN

USPF204 Bearing 2D drawings and 3D CAD models