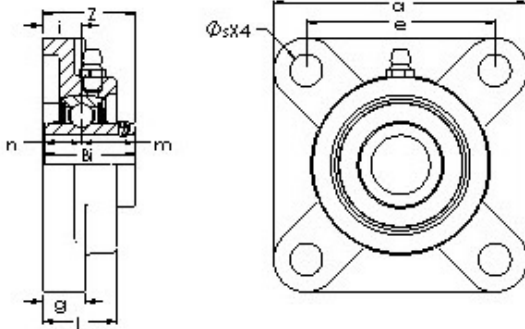




# Bearing Manufacturing of America



## AST UCF 212-36E bearing units

Bearing No. UCF 212-36E

Bore Diameter	57,15 mm
Bearing Type	Cast iron housing
Dynamic Load Rating (Cr)	11,709
Static Load Rating (Cor)	8,133
Shaft Dia. (Fw)	2.2500
Mounting Hole Center-to-Center (e)	5.6250
Housing Length (a)	6.3750
Housing Base Thickness (g)	0.7188
Bearing Inner Race Width (Bi)	2.5630
Bearing Inner Race Width - Short Side (n)	1.0000
Bearing Inner Race Width - Extended Side (m)	1.5630
Mounting Bolt Size	0.6250
Bearing Number - UC 212-36	UC 21236
Housing Number	F 212E
Mounting Hole Dia. (s)	0.6719
Flange Assembly Height (Z)	2.7190
Flange Height (l)	1.8750
Mounting Base to Bearing Center (i)	1.1410
Weight (g)	4,218.39
Material	Cast iron housing, chrome steel bearing

UCF 212-36E Bearing 2D drawings and 3D CAD models