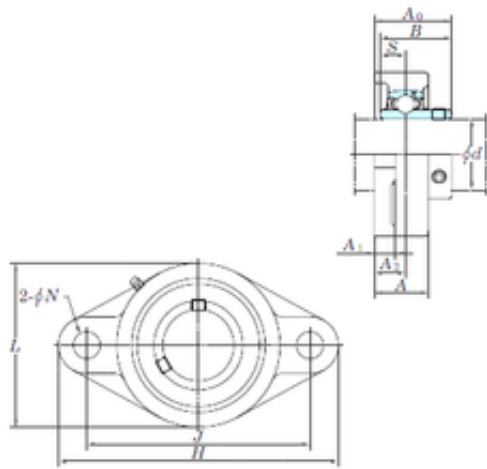




Bearing Manufacturing of America



KOYO UCFL308-24 bearing units

Bearing No. UCFL308-24

Bore Diameter	38,1 mm
d	38,1 mm
A0	56 mm
A	40 mm
A1	17 mm
B	52 mm
H	200 mm
J	158 mm
L	112 mm
N	23 mm
S	19 mm
A2	23 mm
Weight	2,5 Kg
Basic static load rating (C0)	40,7 kN

UCFL308-24 Bearing 2D drawings and 3D CAD models