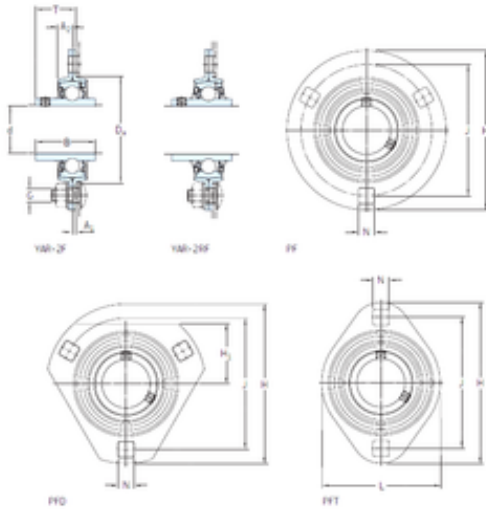




Bearing Manufacturing of America



PF 40 RM Bearing 2D drawings and 3D CAD models

SKF PF 40 RM bearing units

Bearing No. PF 40 RM

Bore Diameter	40 mm
Width	36 mm
d	40 mm
Da	91 mm
A1	3,5 mm
B	36 mm
G	12 mm
H	148 mm
H1	– mm
J	119 mm
L	–
N	13,5 mm
T	28,8 mm
A2	10 mm
Weight	1,2 Kg
Basic dynamic load rating (C)	30,7 kN
Basic static load rating (C0)	19 kN
Housing material	Pressed steel
A ₁	3.5 mm
A ₂	10 mm
B ₄	7 mm
D _a min.	87 mm
s ₁	25.3 mm
Basic dynamic load rating C	30.7 kN
Basic static load rating C ₀	19 kN
Fatigue load limit P _u	0.8 kN



Bearing Manufacturing of America

Permissible radial housing load max.	7.5 kN
Mass unit	1.15 kg
Thread grub screw G_2	M6x0.75
Hexagonal key size for grub screw N	3 mm
Recommended tightening torque for grub screw	4 N · m
Recommended diameter for attachment bolts, mm G	12 mm
Recommended diameter for attachment bolts, inch G	0.5 in