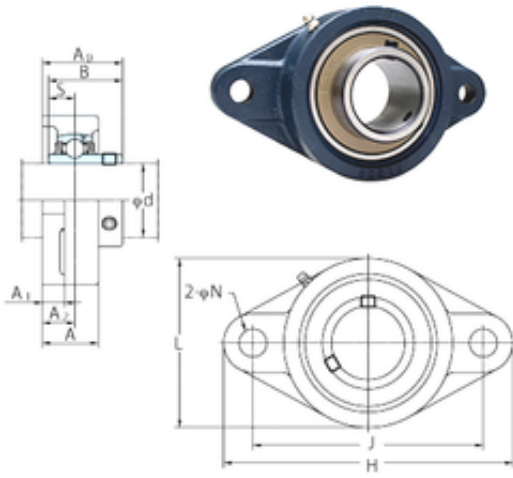




Bearing Manufacturing of America

FYH UCFL203E bearing units

Bearing No. UCFL203E



UCFL203E Bearing 2D drawings and 3D CAD models

| | |
|-------------------------------|---------|
| Bore Diameter | 17 mm |
| d | 17 mm |
| A0 | 33,3 mm |
| A | 25,5 mm |
| A1 | 11 mm |
| B | 31 mm |
| H | 98 mm |
| J | 76,2 mm |
| L | 56 mm |
| N | 10 mm |
| S | 12,7 mm |
| A2 | 15 mm |
| Weight | 0,39 Kg |
| Basic dynamic load rating (C) | 12,8 kN |
| Basic static load rating (C0) | 6,65 kN |