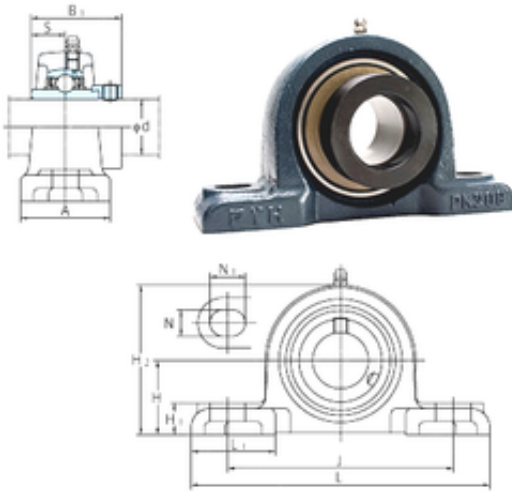




Bearing Manufacturing of America



FYH NAPK215 bearing units

Bearing No. NAPK215

| | |
|-------------------------------|---------|
| Bore Diameter | 75 mm |
| d | 75 mm |
| H | 84,1 mm |
| A | 82 mm |
| B1 | 92,1 mm |
| H1 | 38 mm |
| H2 | 165 mm |
| J | 241 mm |
| L | 304 mm |
| L1 | 87 mm |
| N | 22 mm |
| N1 | 32 mm |
| S | 37,3 mm |
| Bolt (G) | 3/4 |
| Weight | 9,6 Kg |
| Basic dynamic load rating (C) | 67,4 kN |
| Basic static load rating (C0) | 48,3 kN |

NAPK215 Bearing 2D drawings and 3D CAD models