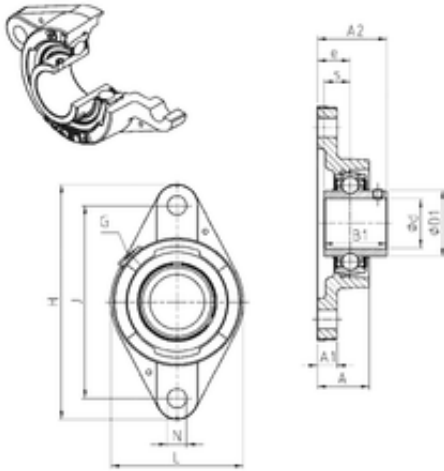




Bearing Manufacturing of America



SNR UCFLE203 bearing units

Bearing No. UCFLE203

Bore Diameter	17 mm
d	17 mm
e	19 mm
s	12,7 mm
A	30,3 mm
A1	10 mm
B1	31 mm
D1	29 mm
H	112 mm
J	90 mm
L	61 mm
N	11,5 mm
Thread (G)	R1/8"
A2	37,3 mm
Weight	0,5 Kg
Basic dynamic load rating (C)	12,8 kN

UCFLE203 Bearing 2D drawings and 3D CAD models