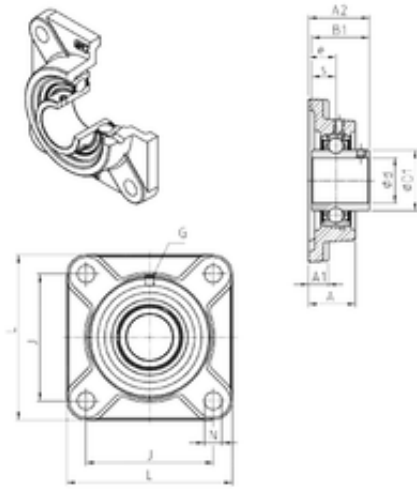




Bearing Manufacturing of America



SNR UCF311 bearing units

Bearing No. UCF311

Bore Diameter	55 mm
d	55 mm
e	30 mm
s	25 mm
A	52 mm
A1	20 mm
B1	66 mm
D1	74,9 mm
J	140 mm
L	185 mm
N	23 mm
Thread (G)	M6x1
A2	71 mm
Weight	5,2 Kg
Basic dynamic load rating (C)	71,5 kN

UCF311 Bearing 2D drawings and 3D CAD models