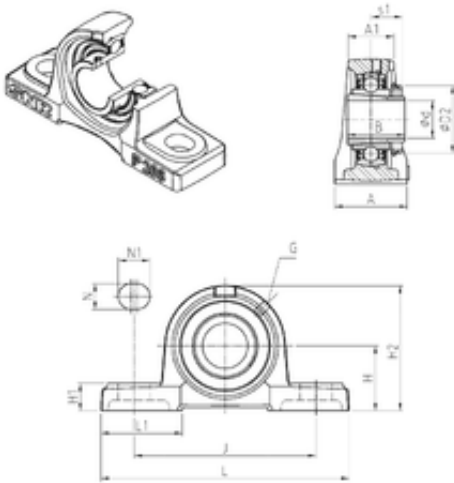




Bearing Manufacturing of America



SNR UKP311H bearing units

Bearing No. UKP311H

Bore Diameter	50 mm
d	50 mm
s1	34 mm
A	80 mm
A1	51 mm
B	59 mm
D2	75 mm
H	80 mm
H1	30 mm
H2	154 mm
J	236 mm
L	310 mm
L1	85 mm
N	20 mm
N1	38 mm
Thread (G)	M6x1
Weight	7,9 Kg
Basic dynamic load rating (C)	71,5 kN
B1	59 mm
d1	75 mm
G	M6x1
C	71.5 kN
C0	44.8 kN
T min.	-20 ° C
T max.	100 ° C
Adapter sleeve reference	H2311

UKP311H Bearing 2D drawings and 3D CAD models



Bearing Manufacturing of America

Designation of housing	P311-
Designation of bearing	UK311G2H