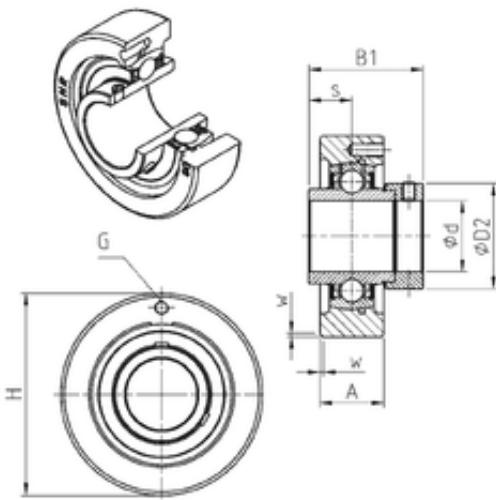




Bearing Manufacturing of America

SNR EXC215 bearing units

Bearing No. EXC215



EXC215 Bearing 2D drawings and 3D CAD models

Bore Diameter	75 mm
d	75 mm
s	37,3 mm
A	44 mm
B1	92,1 mm
D2	102 mm
H	160 mm
W	2 mm
Thread (G)	M6x1
Weight	6,2 Kg
Basic dynamic load rating (C)	66 kN
B	74.6 mm
A3	2 mm
A5	37.3 mm
d1	102 mm
G	M6x1
s1	61.2 mm
S	37.3 mm
SW	5 mm
C	66 kN
C0	49.5 kN
T min.	-20 ° C
T max.	100 ° C
Recommended tightening torque for set screw	22 Nm
Designation of housing	C215-



Bearing Manufacturing of America

Designation of bearing	EX215G2
------------------------	---------