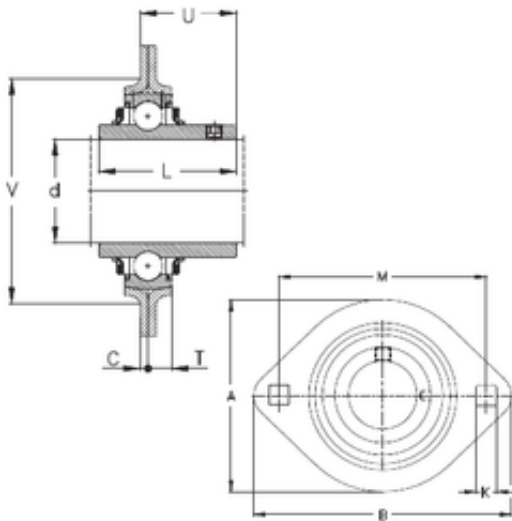




Bearing Manufacturing of America



NKE RRTY25 bearing units

Bearing No. RRTY25

Bore Diameter	25 mm
d	25 mm
V	60 mm
U	22,2 mm
A	71 mm
B	95,2 mm
C	2 mm
K	8,7 mm
L	34,1 mm
M	76 mm
T	8,7 mm

RRTY25 Bearing 2D drawings and 3D CAD models