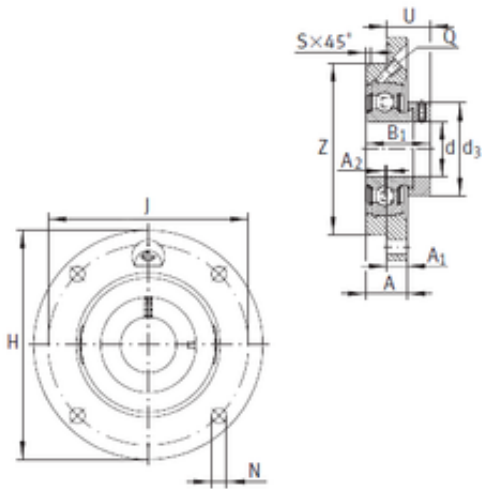




Bearing Manufacturing of America



PME35-N Bearing 2D drawings and 3D CAD models

INA PME35-N bearing units

Bearing No. PME35-N

Bore Diameter	35 mm
d	35 mm
U	28,5 mm
Thread (Q)	M6
Z	90 mm
d3	51 mm
A	20,5 mm
A1	10 mm
B1	39 mm
H	135 mm
J	110 mm
N	11,5 mm
S	2 mm
A2	1 mm
Weight	1,22 Kg
Basic dynamic load rating (C)	25,5 kN
Category	Flange Block Bearings
Inventory	0.0
Manufacturer Name	SCHAEFFLER GROUP
Minimum Buy Quantity	N/A
Weight / Kilogram	1.521
EAN	4012802837445
Product Group	M06110
Number of Mounting Holes	4
Mounting Method	Eccentric Collar
Housing Style	4 Bolt Round Flange



Bearing Manufacturing of America

	Cartridge
Rolling Element	Ball Bearing
Housing Material	Cast Iron
Expansion / Non-expansion	Non-expansion
Mounting Bolts	11.5 Millimeter
Relubricatable	Yes
Insert Part Number	GRAE35NPPB
Seals	Double Lip Contact
Housing Configuration	1 Piece Solid
Pilot Configuration	With Pilot
Inch - Metric	Metric
Long Description	4 Bolt Round Flange Cartridge; 35MM Bore; 110MM Bolt Circle; 78.5MM Bolt Spacing; 1 Piece Solid; Eccentric Collar Mount; Cast Iron; Ball Bearing; 38.9MM Length Thru Bore; Relubricatable; Double Lip Co
Other Features	Single Row Centering Spigot With Set Screw
Category	Flange Block
UNSPSC	31171501
Harmonized Tariff Code	8483.20.40.40
Noun	Bearing
Keyword String	Flanged
Manufacturer URL	http://www.ina.com
Manufacturer Item Number	PME35N
Weight / LBS	2.8
Nominal Bolt Circle Diameter Round	4.3 Inch 110 Millimeter
Cartridge Pilot Diameter	3.543 Inch 90 Millimeter
Cartridge Pilot Depth	0.335 Inch 8.5 Millimeter
Bore	1.378 Inch 35 Millimeter



Bearing Manufacturing of America

Bolt Spacing	3.1 Inch 78.5 Millimeter
Length Thru Bore	1.531 Inch 38.9 Millimeter