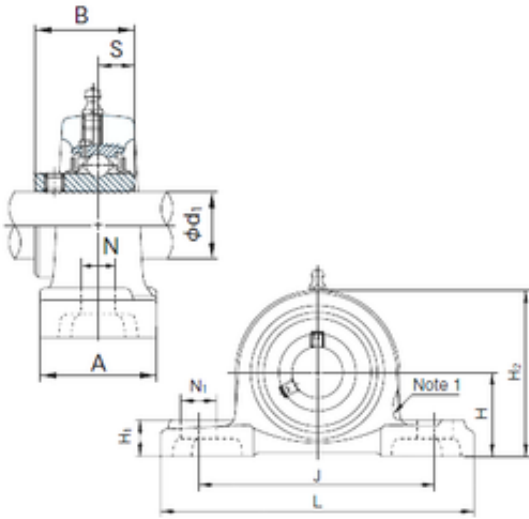




Bearing Manufacturing of America



UCP216 Bearing 2D drawings and 3D CAD models

NACHI UCP216 bearing units

Bearing No. UCP216

Bore Diameter	80 mm
Width	82.6 mm
d	80 mm
A	78 mm
B	82.6 mm
H	88.9 mm
H1	30 mm
H2	175 mm
J	232 mm
L	292 mm
N	25 mm
N1	31 mm
S	33.3 mm
Bolt (G)	M20