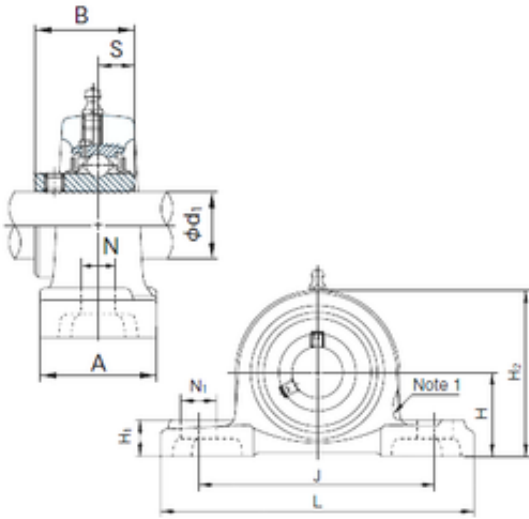




Bearing Manufacturing of America



UCPX20 Bearing 2D drawings and 3D CAD models

NACHI UCPX20 bearing units

Bearing No. UCPX20

Bore Diameter	100 mm
Width	117.5 mm
d	100 mm
A	121 mm
B	117.5 mm
H	127 mm
H1	52 mm
H2	250 mm
J	337 mm
L	432 mm
N	33 mm
N1	64 mm
S	49.2 mm
Bolt (G)	M27