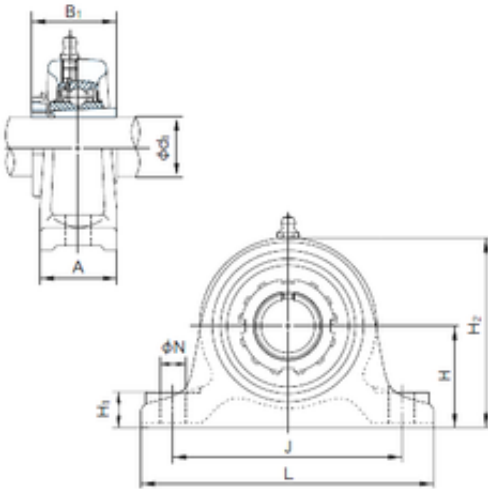




# Bearing Manufacturing of America

## NACHI UKIP320+H2320 bearing units

Bearing No. UKIP320+H2320



UKIP320+H2320 Bearing 2D drawings and 3D CAD models

Bore Diameter	90 mm
Width	150 mm
d	90 mm
A	85 mm
B1	97 mm
H	150 mm
H1	45 mm
H2	295 mm
J	360 mm
L	430 mm
N	29 mm
Bolt (G)	M24