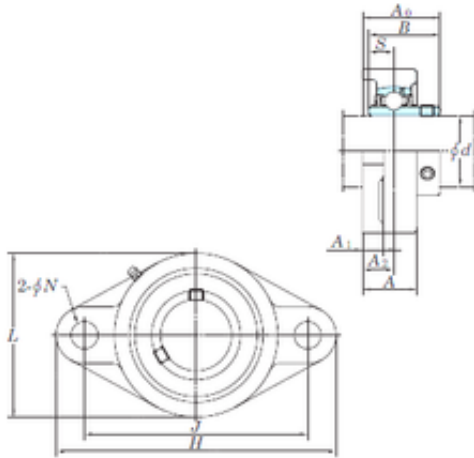




Bearing Manufacturing of America



KOYO UCFL210-32E bearing units

Bearing No. UCFL210-32E

Bore Diameter	50,8 mm
d	50,8 mm
A0	54,6 mm
A	40 mm
A1	15 mm
B	51,6 mm
H	197 mm
J	157 mm
L	115 mm
N	15 mm
S	19 mm
A2	22 mm
Weight	2,2 Kg
Basic dynamic load rating (C)	35,1 kN
Basic static load rating (C0)	23,3 kN

UCFL210-32E Bearing 2D drawings and 3D CAD models