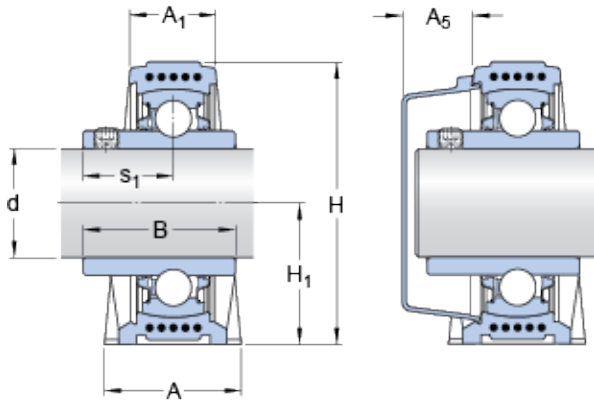




# Bearing Manufacturing of America



## SKF SYK 35 TD bearing units

Bearing No. SYK 35 TD

Size	35x45x27 mm
Bore Diameter	35 mm
Outer Diameter	45 mm
Width	27 mm
d	35 mm
A	45 mm
A <sub>1</sub>	27 mm
A <sub>5</sub>	22 mm
B	42.9 mm
H	93.5 mm
H <sub>1</sub>	47.6 mm
H <sub>2</sub>	19 mm
J	126 mm
J - max.	133 mm
J - min.	119 mm
L	164 mm
H	21.5 mm
N <sub>1</sub>	14.5 mm
s <sub>1</sub>	25.4 mm
Basic dynamic load rating - C	25.5 kN
Basic static load rating - C <sub>0</sub>	15.3 kN
Fatigue load limit - P <sub>u</sub>	0.655 kN
Limiting speed	1100 r/min
Weight	0.68 kg

SYK 35 TD Bearing 2D drawings and 3D CAD models



## Bearing Manufacturing of America

Hexagonal key size for grub screw - H	3 mm
Housing material	Composite
A <sub>1</sub>	27 mm
A <sub>5</sub>	22 mm
B <sub>4</sub>	6 mm
H <sub>1</sub>	47.6 mm
H <sub>2</sub>	19 mm
J max.	133 mm
J min.	119 mm
N	21.5 mm
N <sub>1</sub>	14.5 mm
s <sub>1</sub>	25.4 mm
Basic dynamic load rating C	25.5 kN
Basic static load rating C <sub>0</sub>	15.3 kN
Fatigue load limit P <sub>u</sub>	0.655 kN
Mass bearing unit	0.68 kg
Thread grub screw G <sub>2</sub>	M6x0.75
Hexagonal key size for grub screw N	3 mm
Recommended tightening torque for grub screw	4 N · m
Recommended diameter for attachment bolts, mm G	12 mm
Recommended diameter for attachment bolts, inch G	0.5 in