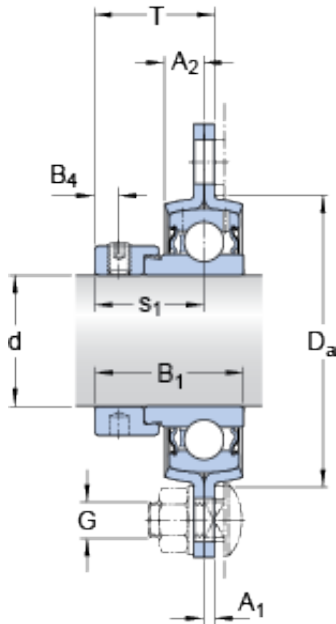




Bearing Manufacturing of America



PFD 40 FM Bearing 2D drawings and 3D CAD models

SKF PFD 40 FM bearing units

Bearing No. PFD 40 FM

Size	40x3.5x10 mm
Bore Diameter	40 mm
Outer Diameter	3,5 mm
Width	10 mm
d	40 mm
A ₁	3.5 mm
A ₂	10 mm
B	30.2 mm
B ₄	6.75 mm
D _a - min.	87 mm
J	119 mm
H	148 mm
H ₁	53 mm
H	13.5 mm
s ₁	33.2 mm
T	36.7 mm
Basic dynamic load rating - C	30.7 kN
Basic static load rating - C ₀	19 kN
Fatigue load limit - P _u	0.8 kN
Permissible radial housing load	max. 7.5 kN
Weight	1.05 kg
Thread - G ₂	M10x1
Hexagonal key size for grub screw - H	5 mm



Bearing Manufacturing of America

Housing material	Pressed steel
A ₁	3.5 mm
A ₂	10 mm
B ₄	6.75 mm
D _a min.	87 mm
H ₁	53 mm
N	13.5 mm
s ₁	32.7 mm
Basic dynamic load rating C	30.7 kN
Basic static load rating C ₀	19 kN
Fatigue load limit P _u	0.8 kN
Permissible radial housing load max.	7.5 kN
Mass unit	1.05 kg
Thread grub screw G ₂	M10x1
Hexagonal key size for grub screw N	5 mm
Recommended tightening torque for grub screw	16.5 N · m
Recommended diameter for attachment bolts, mm G	12 mm
Recommended diameter for attachment bolts, inch G	0.5 in
Bearing	YET 208
Housing	PFD 80