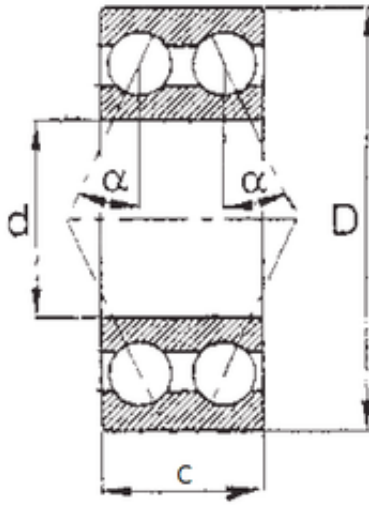




## Bearing Manufacturing of America



10 mm x 30 mm x 14,287 mm 10 mm x 30 mm x 14,287 mm FBJ 5200 angular contact ball bearings

Bearing No. 5200

Size	10x30x14.287 mm
Bore Diameter	10 mm
Outer Diameter	30 mm
Width	14,287 mm
d	10 mm
D	30 mm
B	14,287 mm
C	14,287 mm
Angle ( )	25 °
Weight	0,094 Kg
Basic dynamic load rating (C)	6,95 kN
Basic static load rating (C0)	3,8 kN
(Grease) Lubrication Speed	14000 r/min

5200 Bearing 2D drawings and 3D CAD models