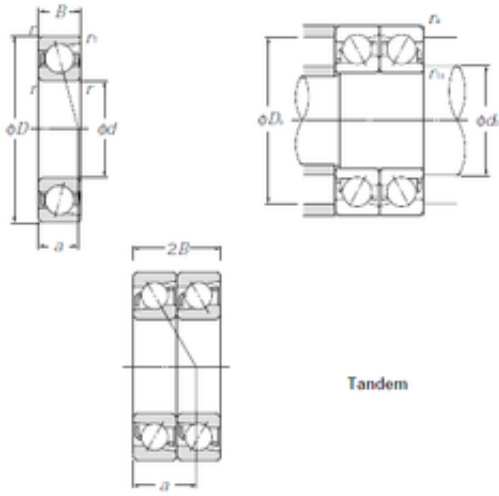




Bearing Manufacturing of America



35 mm x 72 mm x 17 mm 35 mm x 72 mm x 17 mm CYSD 7207CDT angular contact ball bearings

Bearing No. 7207CDT

Size	35x72x17 mm
Bore Diameter	35 mm
Outer Diameter	72 mm
Width	17 mm
d	35 mm
D	72 mm
B	17 mm
C	17 mm
Angle ()	15 °
r min.	1,1 mm
2B	34 mm
Weight	0,546 Kg
Basic dynamic load rating (C)	49,5 kN
Basic static load rating (C0)	40 kN
(Grease) Lubrication Speed	13000 r/min

7207CDT Bearing 2D drawings and 3D CAD models