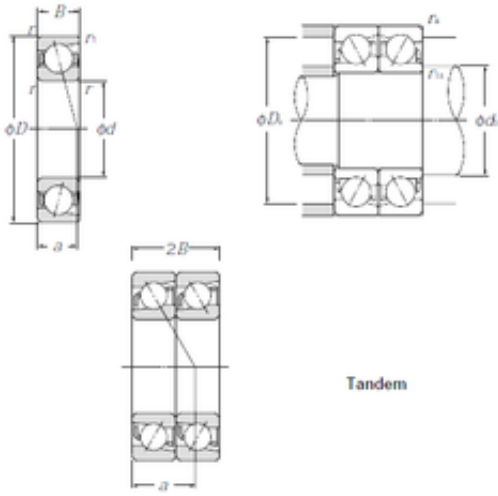




Bearing Manufacturing of America



110 mm x 150 mm x 20 mm 110 mm x 150 mm
x 20 mm CYSD 7922CDT angular contact ball
bearings

Bearing No. 7922CDT

Size	110x150x20 mm
Bore Diameter	110 mm
Outer Diameter	150 mm
Width	20 mm
d	110 mm
D	150 mm
B	20 mm
C	20 mm
Angle ()	15 °
r min.	1,1 mm
2B	40 mm
Weight	1,686 Kg
Basic dynamic load rating (C)	89 kN
Basic static load rating (C0)	127 kN
(Grease) Lubrication Speed	4900 r/min

7922CDT Bearing 2D drawings and 3D CAD models