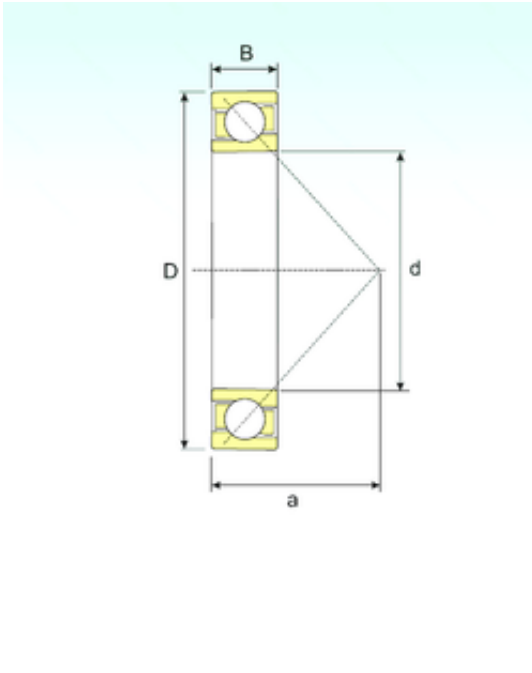




Bearing Manufacturing of America



7318 B Bearing 2D drawings and 3D CAD models

90 mm x 190 mm x 43 mm 90 mm x 190 mm x 43 mm ISB 7318 B angular contact ball bearings

Bearing No. 7318 B

Size	90x190x43 mm
Bore Diameter	90 mm
Outer Diameter	190 mm
Width	43 mm
d	90 mm
D	190 mm
B	43 mm
C	43 mm
a	80 mm
Weight	4,98 Kg
Basic dynamic load rating (C)	152,88 kN
Basic static load rating (C0)	131,32 kN
(Grease) Lubrication Speed	3060 r/min