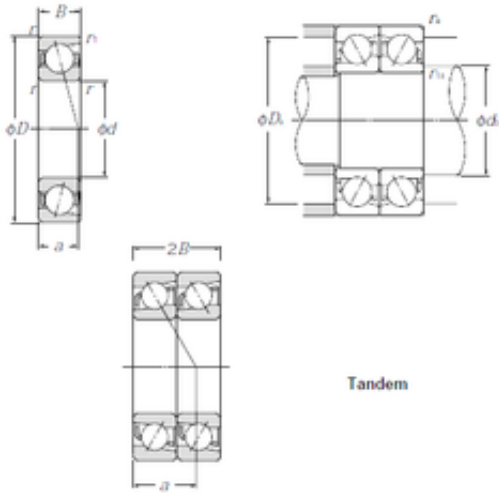




Bearing Manufacturing of America



85 mm x 150 mm x 28 mm 85 mm x 150 mm x 28 mm NTN 7217BDT angular contact ball bearings

Bearing No. 7217BDT

Size	85x150x28 mm
Bore Diameter	85 mm
Outer Diameter	150 mm
Width	28 mm
d	85 mm
D	150 mm
B	28 mm
ra1 max.	1 mm
Angle (°)	40 °
a	63,5 mm
r min.	2 mm
r1 min.	1 mm
2B	56 mm
da min.	95 mm
Da max.	140 mm
db min	90,5 mm
ra max.	2 mm
Db max	144,5 mm
Weight	3,64 Kg
Basic dynamic load rating (C)	146 kN
Basic static load rating (C0)	161 kN
(Grease) Lubrication Speed	3 200 r/min

7217BDT Bearing 2D drawings and 3D CAD models