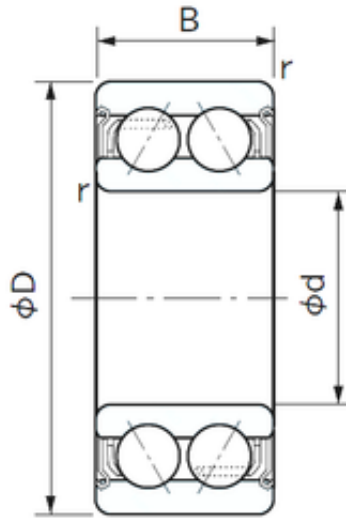




Bearing Manufacturing of America



17 mm x 40 mm x 17.5 mm 17 mm x 40 mm x 17.5 mm NACHI 5203AZZ angular contact ball bearings

Bearing No. 5203AZZ

Size	17x40x17.5 mm
Bore Diameter	17 mm
Outer Diameter	40 mm
Width	17.5 mm
d	17 mm
D	40 mm
B	17.5 mm
C	17.5 mm
r min.	0.6 mm
Weight	0.090 Kg
Basic dynamic load rating (C)	14,2 kN
Basic static load rating (C0)	8,8 kN
(Grease) Lubrication Speed	11000 r/min
Enclosure	Double Shield
Configuration	Double Row
Bore Type	Cylindrical Bore
Bore Size	17 mm
Outside Diameter	40 mm
Width	17.5 mm
Fillet Radius/Chamfer	0.6 mm
Dynamic Load Rating	14,200 N
Static Load Rating	8,800 N
Limiting Speed - Oil	11,000 rpm
Radial Clearance	0.003 to 0.018 mm

5203AZZ Bearing 2D drawings and 3D CAD models



Bearing Manufacturing of America

da	22 mm
Da	35 mm
ra	0.6 mm