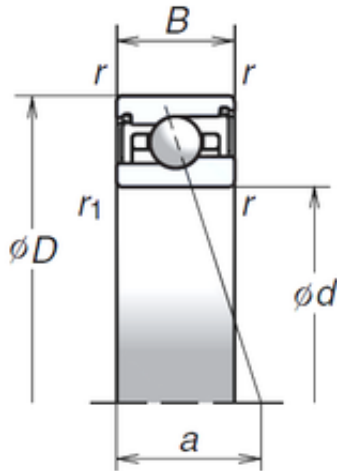




## Bearing Manufacturing of America



75 mm x 105 mm x 19 mm 75 mm x 105 mm x 19 mm NSK 75BNR29XV1V angular contact ball bearings

Bearing No. 75BNR29XV1V

Size	75x105x19 mm
Bore Diameter	75 mm
Outer Diameter	105 mm
Width	19 mm
d	75 mm
D	105 mm
B	19 mm
C	19 mm
Angle ( ° )	18 °
a	24,1 mm
r min.	1 mm
r1 min.	0,6 mm
Weight	0,365 Kg
Basic dynamic load rating (C)	21,6 kN
Basic static load rating (C0)	19 kN
(Grease) Lubrication Speed	23 400 r/min

75BNR29XV1V Bearing 2D drawings and 3D CAD models