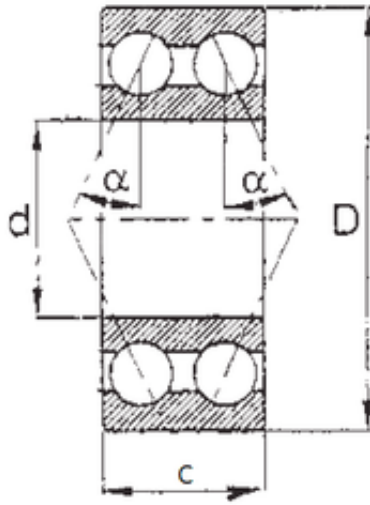




## Bearing Manufacturing of America



15 mm x 42 mm x 19 mm 15 mm x 42 mm x 19 mm FBJ 5302 angular contact ball bearings

Bearing No. 5302

Size	15x42x19 mm
Bore Diameter	15 mm
Outer Diameter	42 mm
Width	19 mm
d	15 mm
D	42 mm
B	19 mm
C	19 mm
Angle ( )	25 °
Weight	0,132 Kg
Basic dynamic load rating (C)	17,2 kN
Basic static load rating (C0)	10,1 kN
(Grease) Lubrication Speed	9900 r/min

5302 Bearing 2D drawings and 3D CAD models