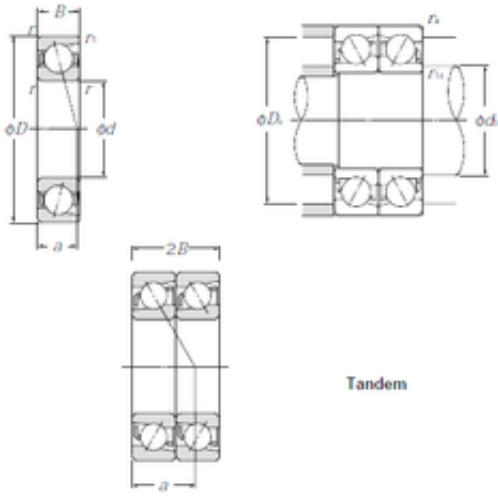




# Bearing Manufacturing of America



65 mm x 85 mm x 10 mm 65 mm x 85 mm x 10 mm CYSD 7813CDT angular contact ball bearings

Bearing No. 7813CDT

Size	65x85x10 mm
Bore Diameter	65 mm
Outer Diameter	85 mm
Width	10 mm
d	65 mm
D	85 mm
B	10 mm
C	10 mm
Angle ( )	15 °
r min.	0,6 mm
2B	20 mm
Weight	0,244 Kg
Basic dynamic load rating (C)	22,9 kN
Basic static load rating (C0)	29,9 kN
(Grease) Lubrication Speed	8900 r/min

7813CDT Bearing 2D drawings and 3D CAD models